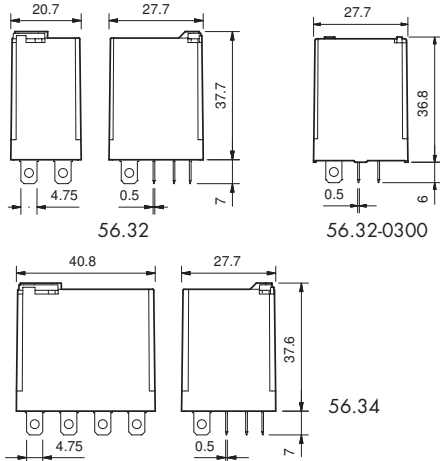


## Features

### Plug-in 12 A Power relay, 2 & 4 pole

- Flange mount option - (Faston 187, 4.8x0.5 mm termination)
- AC coils & DC coils
- Lockable test button and mechanical flag indicator
- Cadmium Free contacts (standard version)
- Contact material options
- 96 series sockets
- Coil EMC suppression
- Accessories



\* For 4 CO (4PDT) only.

FOR UL HORSEPOWER AND PILOT DUTY RATINGS  
SEE "General technical information" page V

	56.32	56.32-0300	56.34
	• 2 pole changeover contact • Plug-in/Faston 187	• 2 pole normally open contact (≥1.5 mm gap) • Plug-in/Faston 187	• 4 pole changeover contact • Plug-in/Faston 187
<b>Contact specification</b>			
Contact configuration	2 CO (DPDT)	2 NO (DPST-NO) - ≥ 1.5 mm gap	4 CO (4PDT)
Rated current/Maximum peak current	A 12/20	12/20	12/20
Rated voltage/Maximum switching voltage V AC	250/400	250/400	250/400
Rated load AC1	VA 3,000	3,000	3,000
Rated load AC15 (230 V AC)	VA 700	700	700
Single phase motor rating (230 V AC)	kW 0.55	0.55	0.55
Breaking capacity DC1: 30/110/220 V	A 12/0.5/0.25	12/1/0.5	12/0.5/0.25
Minimum switching load	mW (V/mA) 500 (10/5)	500 (10/5)	500 (10/5)
Standard contact material	AgNi	AgNi	AgNi
<b>Coil specification</b>			
Nominal voltage (U <sub>N</sub> )	V AC (50/60 Hz)	6 - 12 - 24 - 48 - 60 - 110 - 120 - 230 - 240 - 400*	
	V DC	6-12-24-48-60-110-125-220	6-12-24-48-60-110-125-220
Rated power AC/DC	VA (50 Hz)/W	1.5/1	2/1.3
Operating range	AC	(0.8...1.1)U <sub>N</sub>	(0.8...1.1)U <sub>N</sub>
	DC	(0.8...1.1)U <sub>N</sub>	(0.85...1.1)U <sub>N</sub>
Holding voltage	AC/DC	0.8 U <sub>N</sub> /0.6 U <sub>N</sub>	0.8 U <sub>N</sub> /0.6 U <sub>N</sub>
Must drop-out voltage	AC/DC	0.2 U <sub>N</sub> /0.1 U <sub>N</sub>	0.2 U <sub>N</sub> /0.1 U <sub>N</sub>
<b>Technical data</b>			
Mechanical life AC/DC	cycles	20 · 10 <sup>6</sup> /50 · 10 <sup>6</sup>	20 · 10 <sup>6</sup> /50 · 10 <sup>6</sup>
Electrical life at rated load AC1	cycles	200 · 10 <sup>3</sup>	150 · 10 <sup>3</sup>
Operate/release time	ms	8/8	8/8
Insulation between coil and contacts (1.2/50 μs)	kV	4	5
Dielectric strength between open contacts	V AC	1,000	1,000
Ambient temperature range	°C	-40...+70	-40...+70
Environmental protection		RT I	RT I
<b>Approvals</b> (according to type)			