

Internal Wall Mounted Light Level Sensor

Features



- Corner or flat wall mounted
- 24Vac/dc supply
- 0-10Vdc output

Specification

Sensor reference	Photo-diode
Accuracy	±5% across range
Field of view	80°
Coverage	7 metres max.
Light range	10 - 2000 Lux
Supply Voltage	24Vac/dc
Dimensions	See Page 2
Temperature	-10 to +40C
Humidity	90%RH non-condensing
Material	Flame retardant ABS, polypropylene
Conformity	EMC
Country of Origin	UK

Product Codes

LL-SW-V

Wall mount light level sensor 0-10Vdc

Technical Overview

The LL-SW is a light level transmitter designed for use in the active control of artificial lighting, both to optimise light levels and to achieve maximum energy efficiency.

The LL-SW transmitter uses a photo-diode cell to detect light levels in the 10-2000 lux range, providing a linear 0-10Vdc output signal.

The LL-SW is designed to be ceiling mounted for the measurement of all types of light levels.

Installation

- Avoid direct sunlight entering the sensor.
- Do not site within 1m of forced air heating or ventilation.
- Do not site within 1m of any lighting.
- Do not fix to a vibrating surface.

Direct Mounting

Direct mounting to either a corner or flat wall is achieved using the screw holes in the back cover. The front cover is removed by unclipping it which will reveal a number of knockouts on the rear part of the enclosure. These are simply punched or drilled out and the rear section is then fixed directly to the surface. The front cover can then be clipped back into place.

Bracket Mounting

The unit can be clipped to the wall using the bracket included with the unit. The bracket is secured to the wall using screws and then clips to the back cover through the two rectangular holes.

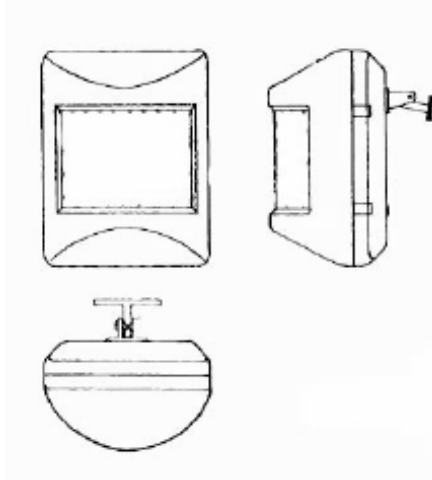
Connections

24V = Supply

0v = Gnd

O/P = 0-10Vdc output

Dimensions



Height	80mm
Width	63mm
Depth	42.5mm

Trend Scaling

10-2000 Lux:

Trange	2000
Brange	-1980
Upper	2000
Lower	10
Exp	4