

Linear actuators for 2-way and 3-way globe valves DN 15...80

3-point actuators

NV24-3 AC/DC 24 V

NV230-3 AC 230 V

Applications

Operation of globe valves.

Mode of operation

Control is effected by means of a 3-point signal.

Product features

Simple attachment to the neck of the valve by means of a clamping strap. Semiautomatic coupling of the valve stem to the actuator spindle. The actuator can be rotated through 360° on the neck of the valve.

Functional reliability

The actuator is short-circuit-proof and protected against polarity reversal.

Manual operation

Inserting a 5 mm hexagonal key and turning it clockwise causes the linear spindle to extend from the actuator housing (pushing).

Together with the action of the valve, this causes the flow of water to increase. The actuator spindle retains its position until the power supply is energized (the controller takes first priority).

Position indication

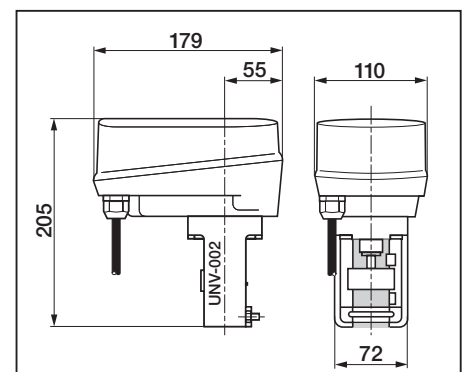
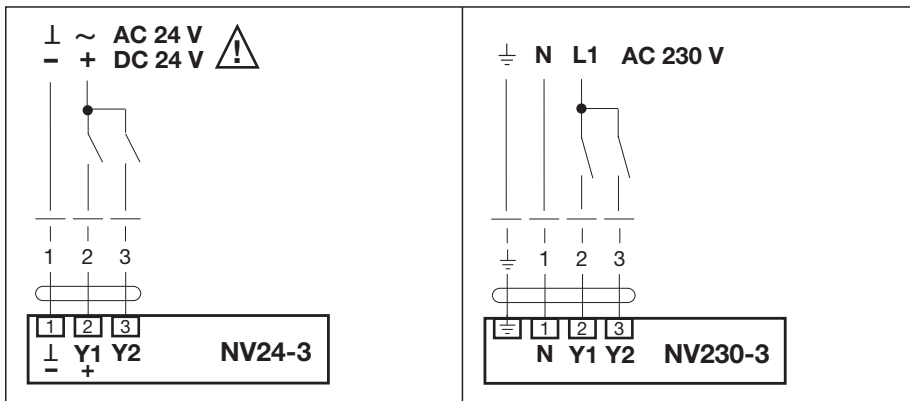
The stroke of the valve is indicated mechanically on the bracket; the indicator adjusts itself automatically.

Safety note

The linear actuator contains no components which can be replaced or repaired by the user.

Note on delivery

The UNV-002 bracket is included in the scope of delivery, providing the valve and the actuator are ordered together.



ERROR: ioerror
OFFENDING COMMAND: image

STACK:

-mark-
-savelevel-
-mark-
-savelevel-